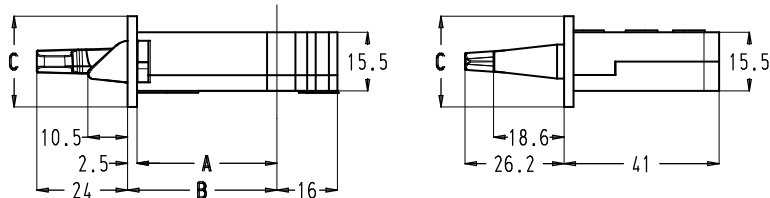




2. Multipoint lock with standard latch bolt

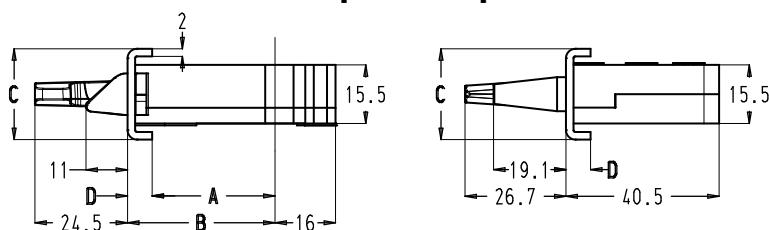
- Vent height with standard lock: 2100-2500 mm.

Flat faceplate



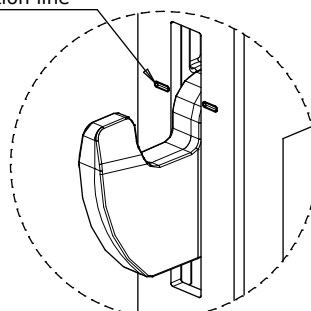
Lock SKG**	Lock RC3	A (mm)	B (mm)	C (mm)
80000-16-30	80100-16-30	27	29.5	16
80000-16-35	80100-16-35	32	34.5	16
80000-16-40	80100-16-40	37	39.5	16
80000-20-30	80100-20-30	27	29.5	20
80000-20-35	80100-20-35	32	34.5	20
80000-20-40	80100-20-40	37	39.5	20
80000-24-30	80100-24-30	27	29.5	24
80000-24-35	80100-24-35	32	34.5	24
80000-24-40	80100-24-40	37	39.5	24

U-shaped faceplate



Lock SKG**	Lock RC3	A (mm)	B (mm)	C (mm)	D (mm)
80000-U22-23	80100-U22-23	20.5	29	22	8.5
80000-U22-25	80100-U22-25	22.5	29	22	6.5
80000-U22-28	80100-U22-28	25.5	34	22	8.5
80000-U22-30	80100-U22-30	27.5	34	22	6.5
80000-U22-33	80100-U22-33	30.5	39	22	8.5
80000-U22-35	80100-U22-35	32.5	39	22	6.5
80000-U24-25	80100-U24-25	22.5	29	24	6.5
80000-U24-27	80100-U24-27	24	29	24	5
80000-U24-30	80100-U24-30	27.5	34	24	6.5
80000-U24-32	80100-U24-32	29	34	24	5
80000-U24-35	80100-U24-35	32.5	39	24	6.5
80000-U24-37	80100-U24-37	34	39	24	5

Indication line



The indication line serves as reference point for the lock position in relation to the keep position.

